

ZECA

Z

TECHNICAL EXCELLENCE. SINCE 1929.

INDUSTRIAL CABLE REELS SERIES 4000

ART. 4415

Length (m)
11

Number of conductors
4 G

Cross-section (mm²)
1.5

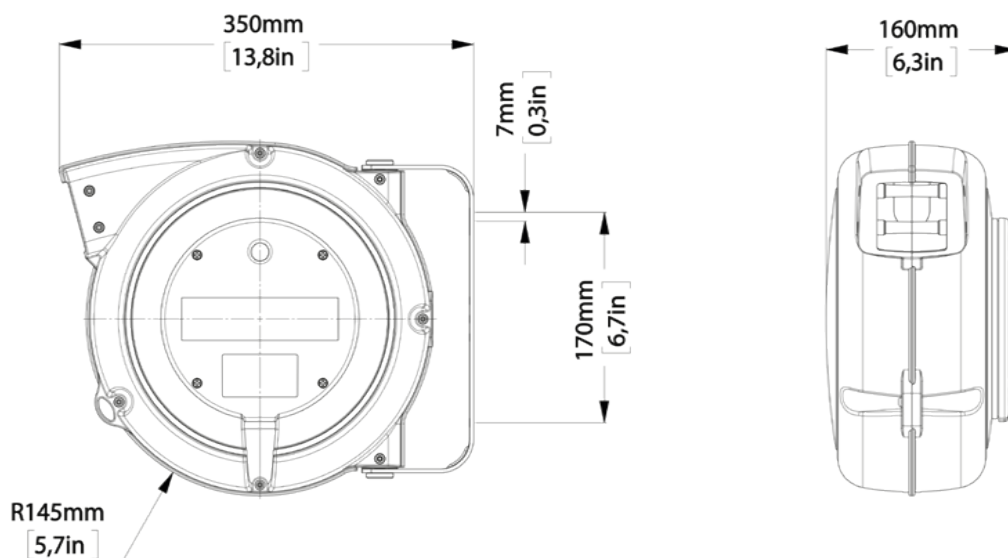
Wound cable capacity (@20°C)
1,4 KW @ 400V



TECHNICAL DATA

| Article | Cable length (m) | Reel cable length (m) | Cut length (m) | Number of conductors | Cross-section (mm ²) | Wound cable capacity (@20°C) | Unwound cable capacity (@20°C) | Cable diameter (mm) | Thermal switch | V max | Cable type |
|---------|------------------|-----------------------|----------------|----------------------|----------------------------------|------------------------------|--------------------------------|---------------------|----------------|-------|------------|
| 4415 | 11 | 10 | 1 | 4 G | 1.5 | 1,4 KW @ 400V | 1,9 KW @ 400V | 8.5 | NO | 500 | PVC |

OVERALL DIMENSIONS



Technical features

- Structural elements of the winder in shockproof plastic.
- Roller cable guide mouth.
- Cable stop device with rack that can be inserted every 50 cm. Easily eliminated if the cable is constantly in traction.
- Double ground contact.
- Collector insulation voltage 2.5 KV.
- Sliding contacts with collector ring and brushes.
- Degree of protection IP42.
- Supplied without piece on the power supply side.
- Models with both PVC and rubber cables are available.
- Ambient temperature of use: -5 ° / + 50 °.

OPTIONAL ACCESSORIES AND SPARE PARTS

ART. 949/804-4000

for winder 4000

Optional device to make the hose reel fixed instead of swiveling.

Indispensable for ceiling application.

Special versions

ART.

Cable reel with Schuko plugs and sockets

